

# H5A CAMERA LINE

2 MP

4 MP

5 MP

6 MP

8 MP

The Avigilon H5A camera line features our embedded Next-Generation Video Analytics for enhanced object detection, tracking and classification, Unusual Activity Detection (UAD), Facial Recognition technology and support for Avigilon Appearance Search™ technology to help ensure critical events do not go unnoticed. These advanced capabilities help provide detailed information on what is happening on your site so you can detect potentially critical security events faster and take responsive action.



## FEATURES



### NEXT-GENERATION VIDEO ANALYTICS

Detects more objects with expanded object classifications and greater accuracy for faster responses, even in crowded scenes.



### FIPS 140-2 COMPLIANT

Brings increased data security with FIPS-compliant cryptography enabled on cameras<sup>1</sup>.



### H.264 AND H.265 WITH HDSM SMARTCODEC™ TECHNOLOGY

Optimizes compression levels for regions in a scene to help maximize bandwidth savings and keep internet connectivity costs down.



### FOCUS OF ATTENTION WITH ACC™ 7

Leverages AI and video analytics technologies to determine what information is important and should be presented to security operators.



### TRUE WIDE DYNAMIC RANGE

Available in all resolutions, capture details in scenes with both very bright and dark areas.



### LIGHTCATCHER™ TECHNOLOGY

Offers excellent image detail in low-light settings.



### ONVIF® COMPLIANT

ONVIF Profile S, T and G compliance allows easy integration with existing ONVIF infrastructures.



### MULTIPLE LENS OPTIONS

Choose from various lens types, including long zoom, for flexible coverage options.

ONVIF is a trademark of Onvif, Inc.

<sup>1</sup> Optional purchase of FIPS Level 1 camera license or CRYPTR microSD hardware-based encryption and key management for FIPS Level 3 support and certification.

# SPECIFICATIONS

IMAGE PERFORMANCE		2.0 MP	4.0 MP	5.0 MP	6.0 MP	8.0 MP (4K ULTRA HD)
Image Sensor		1/2.8" progressive scan CMOS			1/1.8" progressive scan CMOS	
Max Resolution (H x V) and Aspect Ratio		(16:9) 1920 x 1080	(16:9) 2560 x 1440 (4:3) 2304 x 1728	(4:3) 2592 x 1944 (16:9) 2560 x 1440	(16:9) 3200 x 1800 (3:2) 3072 x 2048	(16:9) 3840 x 2160
Dynamic Range	WDR Off	83 dB	83 dB	83 dB	85 dB	85 dB
	WDR On	126 dB (dual exposure, 30 fps) 132 dB (triple exposure, 20 fps or less)	126 dB	126 dB	120 dB	120 dB
Max Image Rate		(50 Hz/60 Hz): 25 fps/30 fps				
Bandwidth Management		HDSM SmartCodec technology; Idle scene mode				
3D Noise Reduction Filter		Yes				

LENS AND IR ILLUMINATION		3.3 – 9 MM	4.9 – 8 MM	9 – 22 MM	4.7 – 84.6 MM
IR Illumination Max Distance <sup>1</sup> (high power 850 nm LEDs)	Dome	35 m (115 ft), full tele 15 m (49 ft), full wide	30 m (98 ft), full tele 15 m (49 ft), full wide	N/A	N/A
	Bullet	50 m (164 ft), full tele 30 m (98 ft), full wide	50 m (164 ft), full tele 30 m (98 ft), full wide	90 m (295 ft), full tele 60 m (197 ft), full wide	N/A
Minimum Illumination	2 MP	0.027 lux in color mode, 0.014 lux in monochrome mode, 0 lux with IR	N/A	0.052 lux in color mode, 0.026 lux in monochrome mode, 0 lux with IR	0.039 lux in color mode, 0.02 lux in monochrome mode
	4 MP	0.03 lux in color mode, 0.015 lux in monochrome mode, 0 lux with IR	N/A	0.058 lux in color mode, 0.029 lux in monochrome mode, 0 lux with IR	N/A
	5 MP	N/A	N/A	0.058 lux in color mode, 0.029 lux in monochrome mode, 0 lux with IR	N/A
	6 MP	N/A	0.055 lux in color mode, 0.028 lux in monochrome mode, 0 lux with IR	N/A	N/A
	8 MP	N/A	0.055 lux in color mode, 0.028 lux in monochrome mode, 0 lux with IR	N/A	N/A
Horizontal Angle of View Based on Aspect Ratio	2 MP	(16:9) 34° – 99°	N/A	(16:9) 14° – 31°	(16:9) 4.1° – 60°
	4 MP	(16:9)(4:3) 34° – 92°	N/A	(16:9) 14° – 31° (4:3) 10° – 24°	N/A
	5 MP	N/A	N/A	(16:9)(4:3) 14° – 31°	N/A
	6 MP	N/A	(16:9) 52° – 92°; (3:2) 41° – 73°	N/A	N/A
	8 MP	N/A	(16:9) 52° – 92°	N/A	N/A
Vertical Angle of View Based on Aspect Ratio	2 MP	(16:9) 18° – 53°	N/A	(16:9) 7.8° – 16.7°	(16:9) 2.3° – 34°
	4 MP	(16:9) 18° – 50° (4:3) 25° – 68°	N/A	(16:9) 8.2° – 17.4° (4:3) 10° – 24°	N/A
	5 MP	N/A	N/A	(16:9) 8.1° – 17.4° (4:3) 11° – 23°	N/A
	6 MP	N/A	(16:9) 29° – 51°; (3:2) 27° – 48°	N/A	N/A
	8 MP	N/A	(16:9) 29° – 51°	N/A	N/A
Max Aperture		F1.3	F1.8	F1.6	F1.6
Control		P-Iris, Remote Focus and Zoom			

<sup>1</sup> IR illumination power may be reduced at higher operating temperatures.

IMAGE CONTROL	
Image Compression Method	H.264 HDSM SmartCodec, H.265 HDSM SmartCodec, Motion JPEG
Streaming	Multi-stream H.264, Multi-stream H.265, Motion JPEG; HDSM™ 2.0 on 4.0 MP, 5.0 MP, 6.0 MP, and 4K (8.0 MP) cameras
Motion Detection	Pixel motion: Selectable sensitivity and threshold. Classified object detection
Camera Tamper Detection	Yes
Electronic Shutter Control	Automatic, Manual (1/7 to 1/8196 sec)
Iris Control	Automatic, Open, Closed
Day/Night Control	Automatic, Manual
Flicker Control	60 Hz, 50 Hz
White Balance	Automatic, Manual
Backlight Compensation	Adjustable
Privacy Zones	Up to 64 zones

NETWORK	
Network	100BASE-TX, RJ45 Connector, CAT5e Cabling
ONVIF	ONVIF compliance version 1.02, 2.00, Profile S, Profile T, Profile G ( <a href="http://www.onvif.org">www.onvif.org</a> )
Security	Password protection, HTTPS encryption, digest authentication, WS authentication, user access log, 802.1x port based authentication, FIPS 140-2 L1 (with optional camera license), FIPS 140-2 L3 (with optional accessory)
Protocols	IPv6, IPv4, HTTP, HTTPS, SOAP, DNS, NTP, RTSP, RTCP, RTP, TCP, UDP, IGMP, ICMP, DHCP, Zeroconf, ARP, HSTS
Streaming Protocols	RTP/UDP, RTP/UDP multicast, RTP/RTSP/TCP, RTP/RTSP/HTTP/TCP, RTP/RTSP/HTTPS/TCP, HTTP
Device Management Protocols	SNMP v2c, SNMP v3

PERIPHERALS		
USB Port	USB 2.0	
Onboard Storage	Dome	microSD/microSDHC/microSDXC slot – video speed class card required. Class V10 or better recommended.
	Bullet and Box	SD/SDHC/SDXC slot – video speed class card required. Class V10 or better recommended.

AUXILIARY I/O	
Audio Compression Method	G.711 PCM 8 kHz, Opus
Audio Input/Output	Line level input and output
External I/O Terminals	Alarm In, Alarm Out
RS-485 Terminal	Yes, Box camera only

MECHANICAL (DOME)	INDOOR SURFACE MOUNT	INDOOR IN-CEILING MOUNT	OUTDOOR SURFACE MOUNT
Dimensions (LxWxH)	163 mm x 163 mm x 118 mm; 6.4" x 6.4" x 4.7"	181 mm x 181 mm x 164 mm; 7.1" x 7.1" x 6.5"	163 mm x 163 mm x 121 mm; 6.4" x 6.4" x 4.8"
Weight	0.99 kg (2.18 lbs)	1.64 kg (3.62 lbs)	1.39 kg (3.06 lbs)
Dome Bubble	Polycarbonate		
Body	Plastic, Aluminum		Aluminum
Housing	Surface mount, tamper resistant	Recessed mount, tamper resistant	Surface mount, vandal resistant
Finish	Plastic, injection molded, close to RAL9002	Plastic, gray; Aluminum, powder coat, black	Cast, powder coated, close to RAL9002
Adjustment Range	360° pan, ±180° azimuth, 9° – 95° tilt (30° – 95° with -IR option)		

MECHANICAL (PENDANT DOME)	PENDANT CAMERA ONLY	WITH WALL MOUNT (H4A-MT-WALL1)	WITH NPT MOUNT (H4A-MT-NPTA1)
Dimensions (LxWxH)	172 mm x 172 mm x 124 mm;	275 mm x 172 mm x 152.1 mm;	172 mm x 172 mm x 172.3 mm;

MECHANICAL (PENDANT DOME)	PENDANT CAMERA ONLY	WITH WALL MOUNT (H4A-MT-WALL1)	WITH NPT MOUNT (H4A-MT-NPTA1)
	6.8" x 6.8" x 4.9"	10.8" x 6.8" x 6.0"	6.8" x 6.8" x 6.8"
Weight	1.59 kg (3.51 lbs)	3.04 kg (6.70 lbs)	1.84 kg (4.06 lbs)
Dome Bubble	Polycarbonate		
Body	Aluminum		
Housing	Pendant mount, vandal resistant		
Finish	Cast, powder coated, close to RAL9002		
Adjustment Range	360° pan, ±180° azimuth, 9° – 95° tilt (30° – 95° with -IR option)		

MECHANICAL (BULLET)		
Dimensions (LxWxH)	280 mm x 126 mm x 91 mm; 11.04" x 4.97" x 3.58" (including mounting bracket)	
Weight	Camera	1.71 kg (3.77 lbs)
	Mounting Bracket	0.21 kg (0.46 lbs)
Body	Aluminum	
Housing	Surface mount, tamper resistant	
Finish	Cast, powder coated, close to RAL9002	
Adjustment Range	±175° pan, ±90° tilt, ±175° azimuth	

MECHANICAL (BOX)	
Dimensions (LxWxH)	168 mm x 76 mm x 67 mm; 6.6" x 3.0" x 2.6"
Weight	0.62 kg (1.4 lbs)
Body	Aluminum
Camera Mount	1/4" -20 UNC (top and bottom)
Finish	Cast, powder coated, black

ELECTRICAL				
Power Consumption	Bullet	13 W max		
	Dome	13 W max (11 W with no IR or IR disabled)		
	Box	7 W max		
Power Source	Bullet	VDC: 12 V ± 10%, 13 W min	VAC: 24 V ± 10%, 15 VA min	PoE: IEEE802.3af Class 3 compliant
	Dome	VDC: 12 V ± 10%, 12 W min	VAC: 24 V ± 10%, 13 VA min	PoE: IEEE802.3af Class 3 compliant
	Box	VDC: 12 V ± 10%, 7 W min	VAC: 24 V ± 10%, 9 VA min	PoE: IEEE802.3af Class 3 compliant
RTC Backup Battery	3V manganese lithium			
Memory	2 GB RAM, 512 MB Flash			

ENVIRONMENTAL		
Operating Temperature	Bullet	-40 °C to +60 °C (-40 °F to 140 °F), in enclosed space
		-40 °C to +65 °C (-40 °F to 149 °F), with ambient convection
	Dome	-40 °C to +65 °C (-40 °F to 149 °F)
	Box	-10 °C to +60 °C (-14 °F to 140 °F)
IR Illuminator Behavior	Bullet	IR illuminator will turn off if the temperature is 61 °C (141 °F) or higher. The illuminator will operate at 50% power if the temperature is between 55 °C (131 °F) and 61 °C (141 °F). Hysteresis: 5 °C (9 °F).
	Indoor Dome	IR illuminator will turn off if the temperature is 55 °C (131 °F) or higher. The illuminator will operate at 50% power if the temperature is between 44 °C (111 °F) and 55 °C (131 °F). Hysteresis: 2 °C (3.6 °F).
	Outdoor Dome	IR illuminator will turn off if the temperature is 57 °C (135 °F) or higher. The illuminator will operate at 50% power if the temperature is between 49 °C (120 °F) and 57 °C (135 °F). Hysteresis: 2 °C (3.6 °F).
Storage Temperature	-10 °C to +70 °C (14 °F to 158 °F)	

## ENVIRONMENTAL

Humidity	0 - 95% non-condensing
----------	------------------------

## CERTIFICATIONS

Certifications/Directives	UL, cUL, CE, ROHS, Reach (SVHC), RCM, EAC, BIS, KC, UKCA, NOM	
Safety	UL 62368-1, CSA 62368-1, IEC/EN 62368-1, IEC 62471 (with -IR option)	
Environmental	Bullet	UL/CSA/IEC 60950-22, IEC 60529 IP66 and IP67 Weather Rating, IEC 62262 IK10 Impact Rating
	Outdoor Dome	UL/CSA/IEC 60950-22, IEC 60529 IP66 and IP67 Weather Rating, IEC 62262 IK10 Impact Rating
	Indoor Dome	IEC 62262 IK10 Impact Rating
Electromagnetic Emissions	FCC Part 15 Subpart B Class B, IC ICES-003 Class B, EN 55032 Class B, EN 61000-6-3, EN 61000-3-2, EN 61000-3-3	
Electromagnetic Immunity	EN 55035, EN 61000-6-1	

# ANALYTICS SPECIFICATIONS

## SUPPORTED ANALYTICS EVENTS

Objects in Area	The event is triggered when the selected object type moves into the region of interest.
Object Loitering	The event is triggered when the selected object type moves into the region of interest and then stays for an extended amount of time.
Objects Crossing Beam	The event is triggered when the specified number of objects have crossed the directional beam that is configured over the camera's field of view. The beam can be unidirectional or bidirectional.
Object Appears or Enters Area	The event is triggered by each object that enters the region of interest. This event can be used to count objects.
Object Not Present in Area	The event is triggered when no objects are present in the region of interest.
Objects Enter Area	The event is triggered when the specified number of objects have entered the region of interest.
Objects Leave Area	The event is triggered when the specified number of objects have left the region of interest.
Object Stops in Area	The event is triggered when an object moves into a region of interest and then stops moving for the specified threshold time.
Direction Violated	The event is triggered when an object moves in the prohibited direction of travel.
Tamper Detection	The event is triggered when the scene unexpectedly changes.

## SUPPORTED CLASSIFIED OBJECT TYPES

Object Types in Outdoor Mode	Vehicle, sub-types: Car, Truck, Bicycle, Motorcycle, Bus Person
Object Types in Indoor Mode	Person

## TEACH BY EXAMPLE

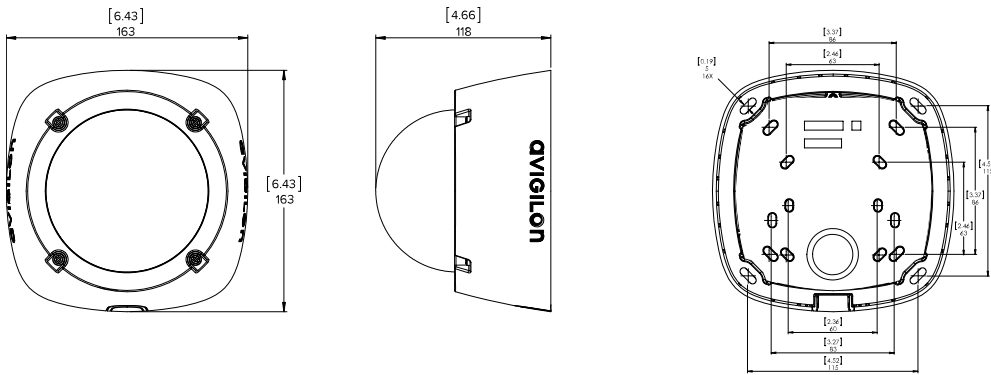
Teach By Example	Yes, when used with Avigilon Control Center™
------------------	--

## AVIGILON CONTROL CENTER (ACC) VERSIONS SUPPORTED FEATURES

ACC Version 6.14.12 or higher	All supported analytic events with two types of classified objects: person or vehicle. Appearance search when paired with appropriate server hardware. H.265 supported.
ACC Version 7.2 or higher	All supported analytic events with people and vehicles and all vehicle sub-types as classified objects. Appearance search when paired with appropriate server hardware. H.265 supported.

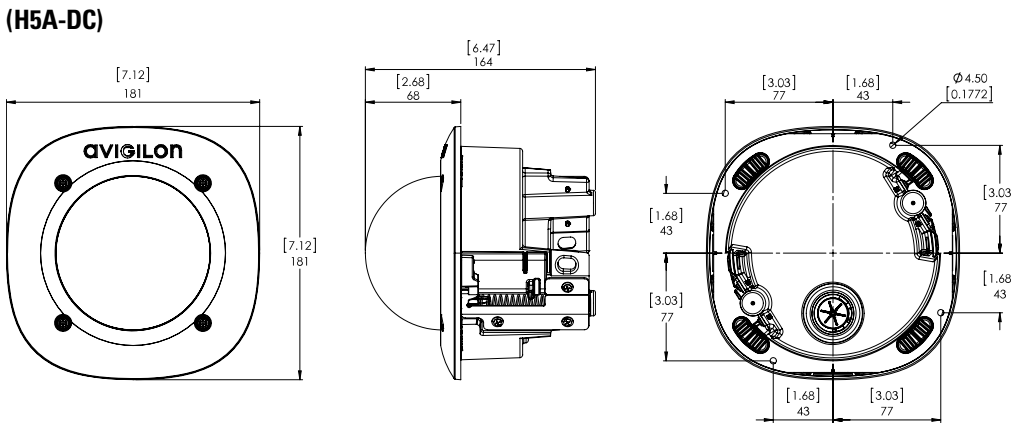
# OUTLINE DIMENSIONS

## SURFACE MOUNT INDOOR DOME CAMERA (H5A-D)

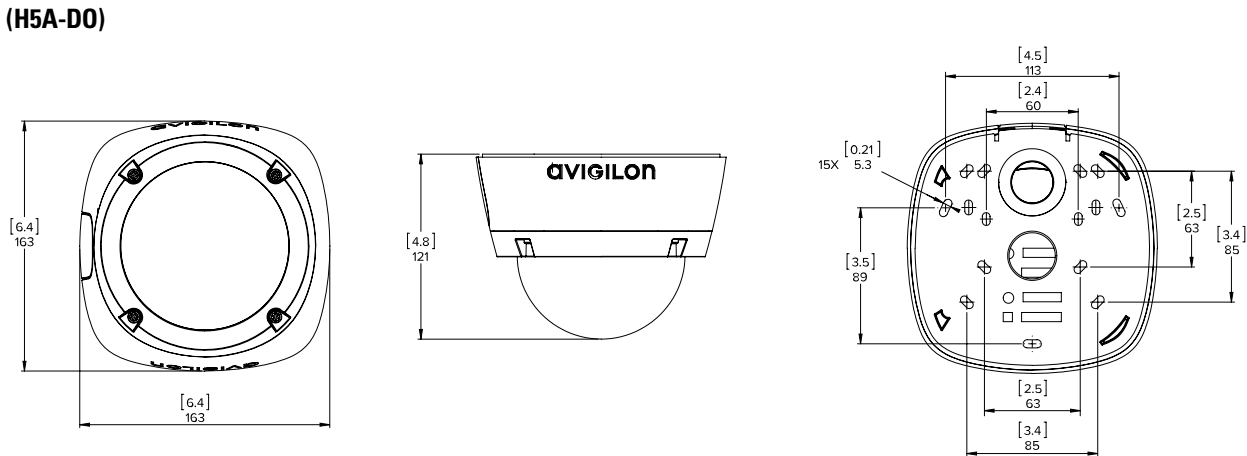


[X.X]	INCHES
X	MM

## IN-CEILING DOME CAMERA (H5A-DC)



## SURFACE MOUNT OUTDOOR DOME CAMERA (H5A-D0)



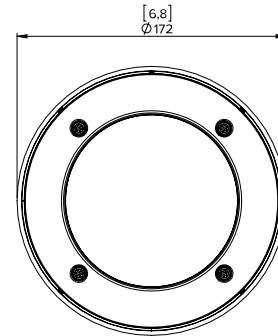
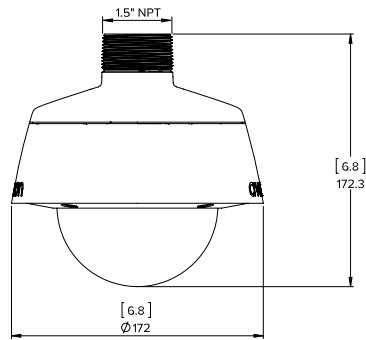
[X.X]	INCHES
X	MM

## PENDANT DOME CAMERA

(H5A-DP)

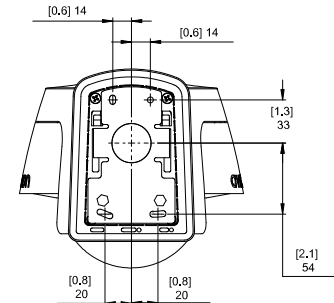
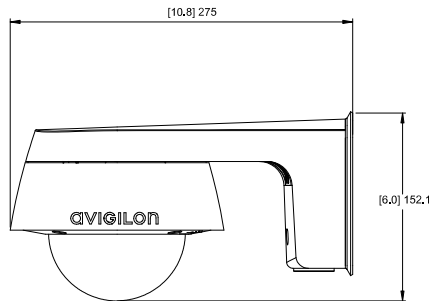
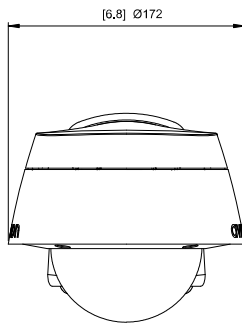
WITH MPT MOUNT

(H4A-MT-NPTA1)



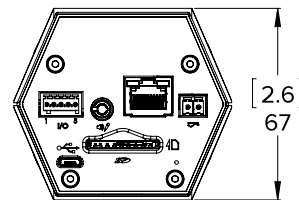
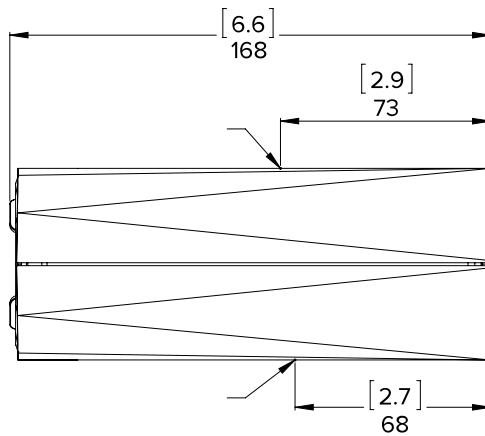
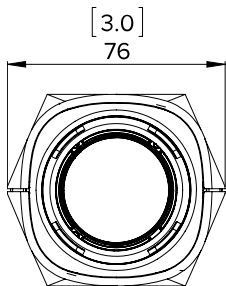
WITH WALL MOUNT

(H4A-MT-WALL1)



## BOX CAMERA

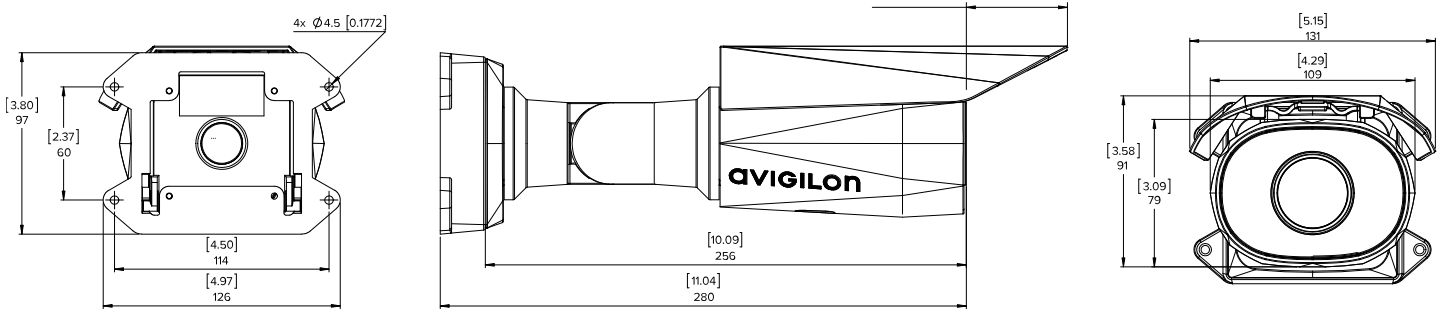
(H5A-B)



[X.X]	INCHES
X	MM

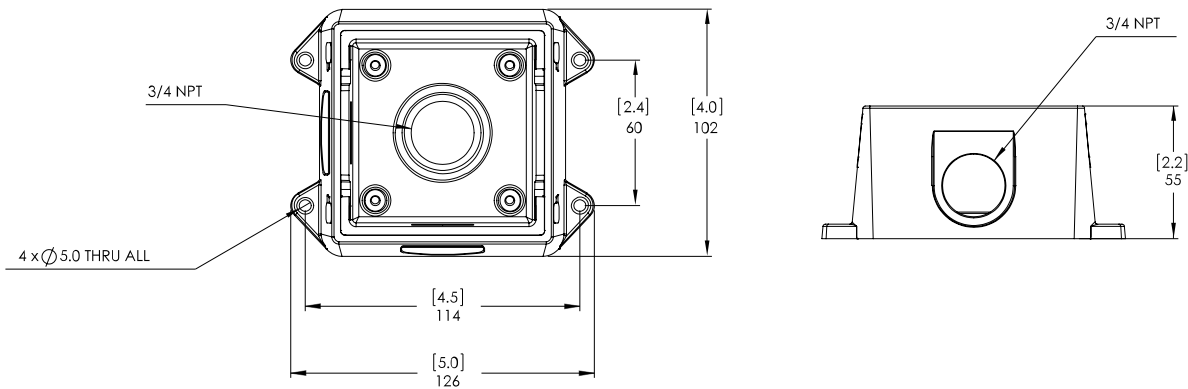
## BULLET CAMERA

(H5A-B0-IR)



## HD BULLET CAMERA JUNCTION BOX

(H4-B0-JBOX1)



# ORDERING INFORMATION

## SURFACE MOUNT OUTDOOR DOME CAMERA

(H5A-D0)

	MP	WDR	LIGHTCATCHER TECHNOLOGY	LENS	IR	ANALYTICS	HDSM SMARTCODEC
2.0C-H5A-D01	2.0	✓	✓	3.3 - 9 mm		✓	✓
2.0C-H5A-D01-IR	2.0	✓	✓	3.3 - 9 mm	✓	✓	✓
2.0C-H5A-D02	2.0	✓	✓	9 - 22 mm		✓	✓
4.0C-H5A-D01	4.0	✓	✓	3.3 - 9 mm		✓	✓
4.0C-H5A-D01-IR	4.0	✓	✓	3.3 - 9 mm	✓	✓	✓
4.0C-H5A-D02	4.0	✓	✓	9 - 22 mm		✓	✓
5.0C-H5A-D02	5.0	✓	✓	9 - 22 mm		✓	✓
6.0C-H5A-D01	6.0	✓	✓	4.9 - 8 mm		✓	✓
6.0C-H5A-D01-IR	6.0	✓	✓	4.9 - 8 mm	✓	✓	✓
8.0C-H5A-D01	8.0	✓	✓	4.9 - 8 mm		✓	✓
8.0C-H5A-D01-IR	8.0	✓	✓	4.9 - 8 mm	✓	✓	✓

H4A-D0-SMOK1	Outdoor dome camera cover with smoked bubble
H4A-D0-CLER1	Outdoor dome camera cover with clear bubble
H4A-AC-GROM1	Camera sealing grommet, pack of 10
CM-AC-GROM1	Pipe grommet, pack of 10



H4-AC-WIFI2-NA / H4-AC-WIFI2-EU	USB Wi-Fi adapter
CM-AC-AVIO1	3.5 mm jack with 1.8 m fly wire

## PENDANT MOUNT OUTDOOR DOME CAMERA

### (H5A-DP)

	MP	WDR	LIGHTCATCHER TECHNOLOGY	LENS	IR	ANALYTICS	HDSM SMARTCODEC
2.0C-H5A-DP1	2.0	✓	✓	3.3 - 9 mm		✓	✓
2.0C-H5A-DP1-IR	2.0	✓	✓	3.3 - 9 mm	✓	✓	✓
2.0C-H5A-DP2	2.0	✓	✓	9 - 22 mm		✓	✓
4.0C-H5A-DP1	4.0	✓	✓	3.3 - 9 mm		✓	✓
4.0C-H5A-DP1-IR	4.0	✓	✓	3.3 - 9 mm	✓	✓	✓
4.0C-H5A-DP2	4.0	✓	✓	9 - 22 mm		✓	✓
5.0C-H5A-DP2	5.0	✓	✓	9 - 22 mm		✓	✓
6.0C-H5A-DP1	6.0	✓	✓	4.9 - 8 mm		✓	✓
6.0C-H5A-DP1-IR	6.0	✓	✓	4.9 - 8 mm	✓	✓	✓
8.0C-H5A-DP1	8.0	✓	✓	4.9 - 8 mm		✓	✓
8.0C-H5A-DP1-IR	8.0	✓	✓	4.9 - 8 mm	✓	✓	✓

H4A-DP-SMOK1	Pendant dome camera cover with smoked bubble
H4A-DP-CLER1	Pendant dome camera cover with clear bubble
H4A-MT-WALL1	Indoor/outdoor pendant wall arm mount
H4A-MT-NPTA1	Indoor/outdoor pendant NPT mount
H4-MT-POLE1	Aluminum pole mounting bracket for pendant dome cameras, compatible with H4A-MT-WALL1
H4-MT-CRNR1	Aluminum corner mounting bracket for pendant dome cameras, compatible with H4A-MT-WALL1
CM-AC-GROM1	Pipe grommet, pack of 10
H4-AC-WIFI2-NA / H4-AC-WIFI2-EU	USB Wi-Fi adapter
CM-AC-AVIO1	3.5 mm jack with 1.8 m fly wire

## OUTDOOR BULLET CAMERA

	MP	WDR	LIGHTCATCHER TECHNOLOGY	LENS	IR	ANALYTICS	HDSM SMARTCODEC
2.0C-H5A-B01-IR	2.0	✓	✓	3.3 - 9 mm	✓	✓	✓
2.0C-H5A-B02-IR	2.0	✓	✓	9 - 22 mm	✓	✓	✓
4.0C-H5A-B01-IR	4.0	✓	✓	3.3 - 9 mm	✓	✓	✓
4.0C-H5A-B02-IR	4.0	✓	✓	9 - 22 mm	✓	✓	✓
5.0C-H5A-B02-IR	5.0	✓	✓	9 - 22 mm	✓	✓	✓
6.0C-H5A-B01-IR	6.0	✓	✓	4.9 - 8 mm	✓	✓	✓
8.0C-H5A-B01-IR	8.0	✓	✓	4.9 - 8 mm	✓	✓	✓

H4-B0-JBOX1	Junction box for bullet cameras
H4-MT-POLE1	Aluminum pole mounting bracket for bullet cameras, compatible with H4-B0-JBOX1
H4-MT-CRNR1	Aluminum corner mounting bracket for bullet cameras, compatible with H4-B0-JBOX1
H4-AC-WIFI2-NA / H4-AC-WIFI2-EU	USB Wi-Fi adapter

## BOX CAMERA

	MP	WDR	LIGHTCATCHER TECHNOLOGY	LENS	IR	ANALYTICS	HDSM SMARTCODEC
2.0C-H5A-B1	2.0	✓	✓	4.7 - 84.6 mm		✓	✓
2.0C-H5A-B2	2.0	✓	✓	3.3 - 9 mm		✓	✓
4.0C-H5A-B2	4.0	✓	✓	3.3 - 9 mm		✓	✓
4.0C-H5A-B3	4.0	✓	✓	9 - 22 mm		✓	✓
6.0C-H5A-B2	6.0	✓	✓	4.9 - 8 mm		✓	✓
8.0C-H5A-B2	8.0	✓	✓	4.9 - 8 mm		✓	✓

H4-AC-WIFI2-NA / H4-AC-WIFI2-EU	USB Wi-Fi adapter
CM-AC-AVI01	3.5 mm jack with 1.8 m fly wire

## SURFACE MOUNT INDOOR DOME CAMERA

	MP	WDR	LIGHTCATCHER TECHNOLOGY	LENS	IR	ANALYTICS	HDSM SMARTCODEC
2.0C-H5A-D1	2.0	✓	✓	3.3 - 9 mm		✓	✓
2.0C-H5A-D1-IR	2.0	✓	✓	3.3 - 9 mm	✓	✓	✓
2.0C-H5A-D2	2.0	✓	✓	9 - 22 mm		✓	✓
4.0C-H5A-D1	4.0	✓	✓	3.3 - 9 mm		✓	✓
4.0C-H5A-D1-IR	4.0	✓	✓	3.3 - 9 mm	✓	✓	✓
4.0C-H5A-D2	4.0	✓	✓	9 - 22 mm		✓	✓
6.0C-H5A-D1	6.0	✓	✓	4.9 - 8 mm		✓	✓
6.0C-H5A-D1-IR	6.0	✓	✓	4.9 - 8 mm	✓	✓	✓
8.0C-H5A-D1	8.0	✓	✓	4.9 - 8 mm		✓	✓
8.0C-H5A-D1-IR	8.0	✓	✓	4.9 - 8 mm	✓	✓	✓

H4A-DD-SMOK1	Indoor dome camera cover with smoked bubble
H4A-DD-CLER1	Indoor dome camera cover with clear bubble
H4A-DD-SMOK1-BL	Black indoor dome camera cover with smoked bubble
H4A-DD-CLER1-BL	Black indoor dome camera cover with clear bubble
H4A-DD-SDWL1	Indoor dome camera sidewall knockout plug, pack of 5
H4A-DD-SDWL1-BL	Black indoor dome camera sidewall knockout plug, pack of 5
H4-AC-WIFI2-NA / H4-AC-WIFI2-EU	USB Wi-Fi adapter
CM-AC-AVI01	3.5 mm jack with 1.8 m fly wire

## IN-CEILING MOUNT INDOOR DOME CAMERA

	MP	WDR	LIGHTCATCHER TECHNOLOGY	LENS	IR	ANALYTICS	HDSM SMARTCODEC
2.0C-H5A-DC1	2.0	✓	✓	3.3 - 9 mm		✓	✓
2.0C-H5A-DC1-IR	2.0	✓	✓	3.3 - 9 mm	✓	✓	✓
2.0C-H5A-DC2	2.0	✓	✓	9 - 22 mm		✓	✓
4.0C-H5A-DC1	4.0	✓	✓	3.3 - 9 mm		✓	✓
4.0C-H5A-DC1-IR	4.0	✓	✓	3.3 - 9 mm	✓	✓	✓
4.0C-H5A-DC2	4.0	✓	✓	9 - 22 mm		✓	✓
6.0C-H5A-DC1	6.0	✓	✓	4.9 - 8 mm		✓	✓
6.0C-H5A-DC1-IR	6.0	✓	✓	4.9 - 8 mm	✓	✓	✓

	MP	WDR	LIGHTCATCHER TECHNOLOGY	LENS	IR	ANALYTICS	HDSM SMARTCODEC
8.0C-H5A-DC1	8.0	✓	✓	4.9 - 8 mm		✓	✓
8.0C-H5A-DC1-IR	8.0	✓	✓	4.9 - 8 mm	✓	✓	✓

H4A-DC-SMOK1	In-ceiling dome camera cover with smoked bubble
H4A-DC-CLER1	In-ceiling dome camera cover with clear bubble
H4A-DC-SMOK1-BL	Black in-ceiling dome camera cover with smoked bubble
H4A-DC-CLER1-BL	Black in-ceiling dome camera cover with clear bubble
H4-DC-CPNL1	Metal ceiling panel
H4A-AC-GROM1	Camera sealing grommet, pack of 10
H4-AC-WIFI2-NA / H4-AC-WIFI2-EU	USB Wi-Fi adapter
CM-AC-AV101	3.5 mm jack with 1.8 m fly wire

## OPTIONAL CAMERA LICENSES AND ACCESSORIES

CAM-FIPS	Camera license to enable FIPS Level 1 cryptographic mode on any H5A camera
----------	--

## SUPPORT

Learn more and find additional documentation at [avigilon.com](https://www.avigilon.com) or email [asksales@avigilon.com](mailto:asksales@avigilon.com) for specific product support.



Jun 2021 | Rev 14

© 2021, Motorola Solutions, Inc. All rights reserved. MOTOROLA, MOTO, MOTOROLA SOLUTIONS, and the Stylized M Logo are trademarks or registered trademarks of Motorola Trademark Holdings, LLC and are used under license. AVIGILON, the AVIGILON logo, AVIGILON CONTROL CENTER, ACC, HDSM SmartCodec and LIGHTCATCHER are trademarks of Avigilon Corporation. The absence of the symbols ™ and ® in proximity to each trademark in this document or at all is not a disclaimer of ownership of the related trademark. All other trademarks are the property of their respective owners.